

DIAGRAM "AA"

WDG	VOLTS	LINE
PRI	240	H1-H2-H3
	228	H4-H5-H6
	216	H7-H8-H9

DIAGRAM "BB"

VOLTS	CONNECT	LINE
252	1-6	H1-H2-H3
246	1-5	
240	1-4	
234	2-5	
228	2-4	
222	3-5	
216	3-4	

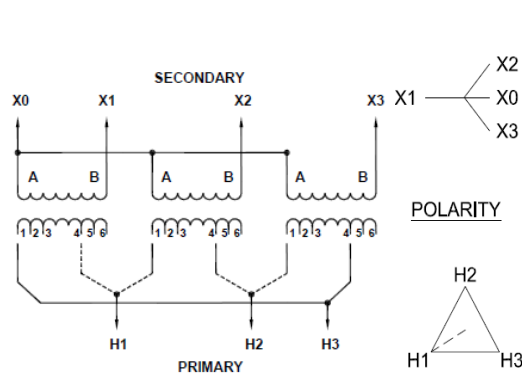
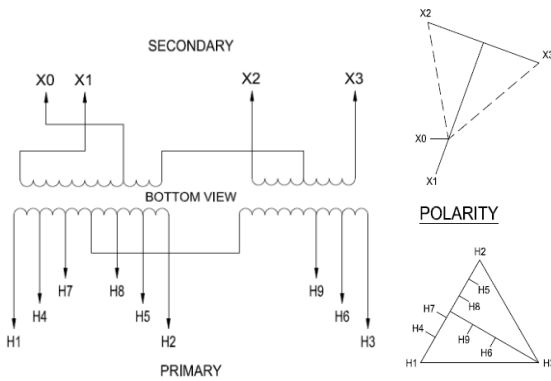


DIAGRAM "280C"

VOLTS	TAP
252	1
246	2
240	3
234	4
228	5
222	6
216	7

DIAGRAM "DD"

VOLTS	CONNECT
252	3 TO 4
240	3 TO 5
228	2 TO 4
216	2 TO 5

